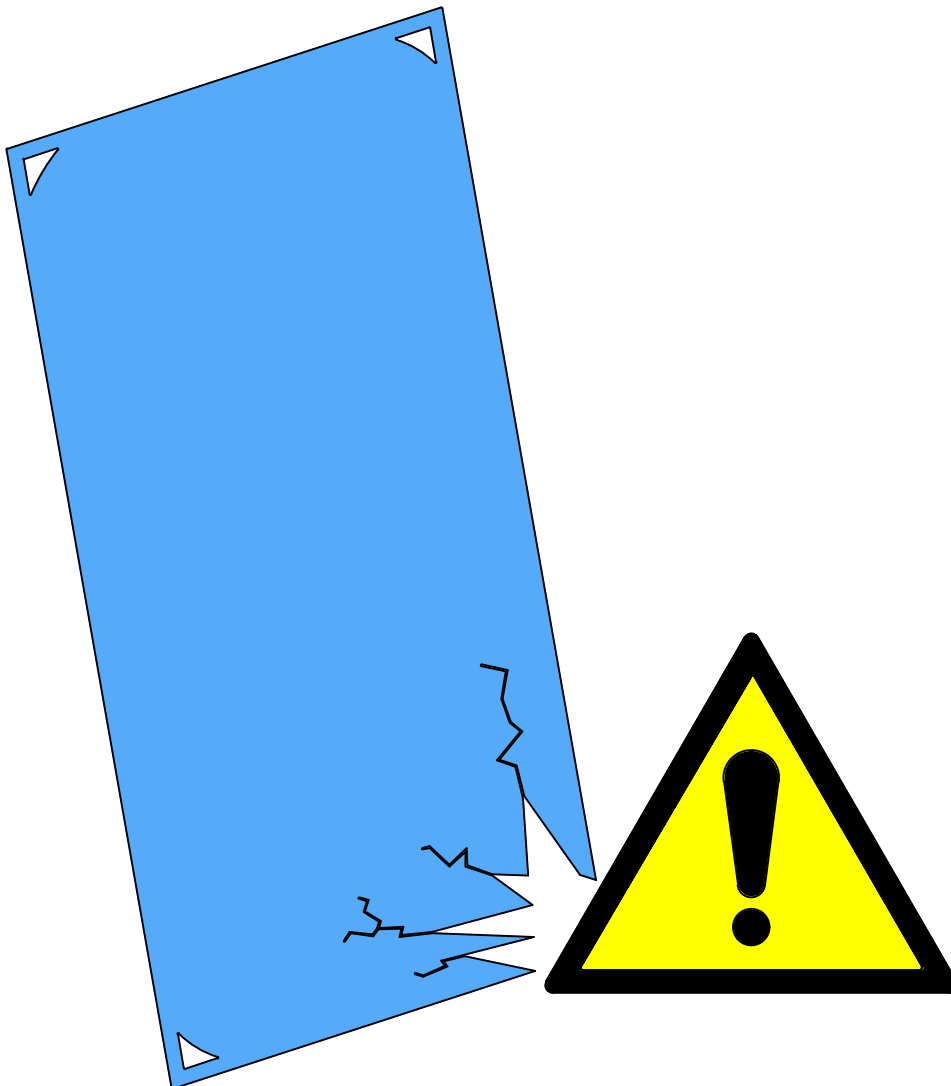
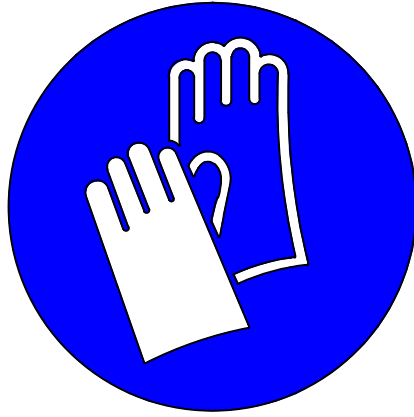
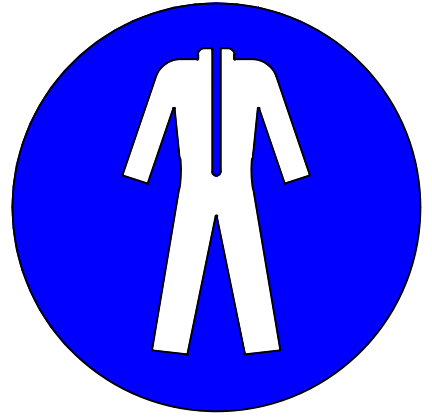
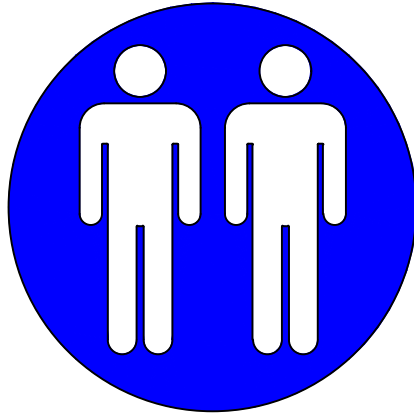


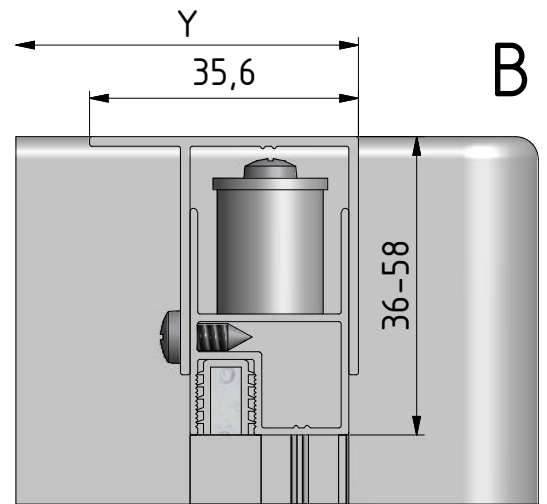
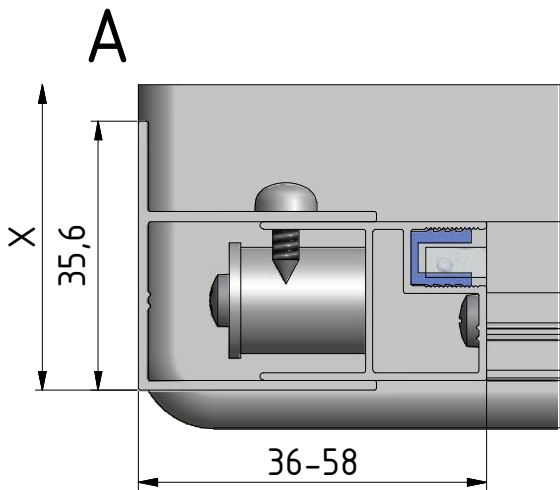
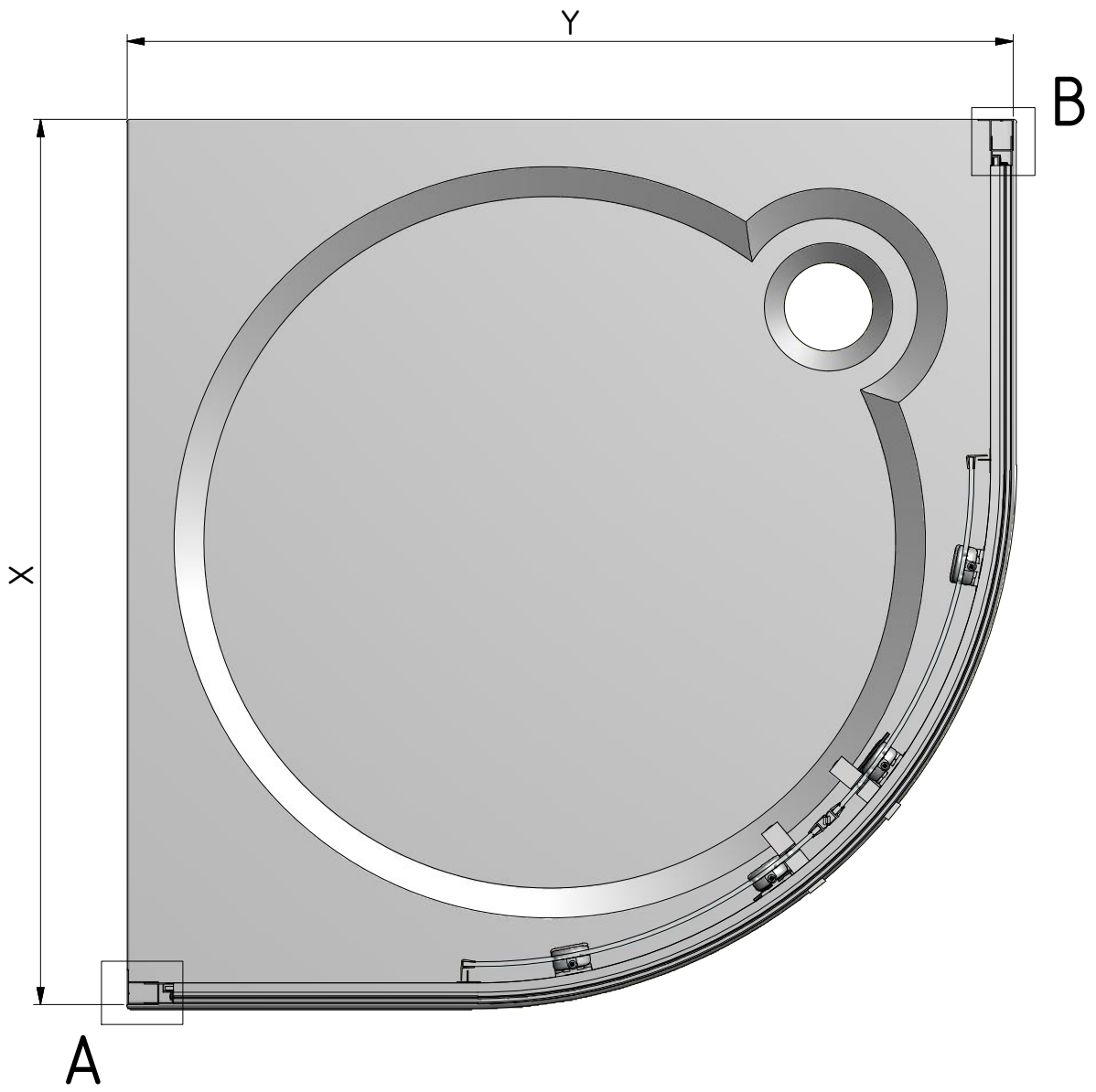
LLR2



Roth Czech s.r.o.; Czech Republic, 569 33 Třebořov 160,
tel.:+420 461 324 301, fax: +420 461 324 297,
<http://www.roth-czech.cz>; e-mail: objednavky@roth-czech.cz

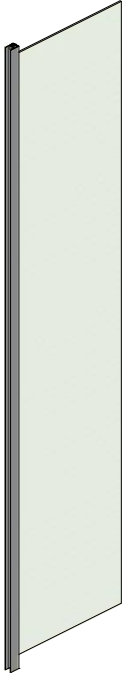
2023/02/01
Rev.:05
MA8337





	X	Y
800	776-798	776-798
900	876-898	876-898

1. 2x
(V244)



2. 2x
(V149)



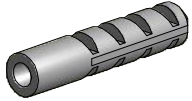
3. 2x
(P281)



8. 2x
(P162)



4. 6x (M0511)



5. 6x (M0795)
Ø3,5x38



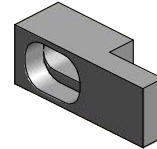
6. 12x
MA0511



10. 8x (M0790)
Ø3,5x19



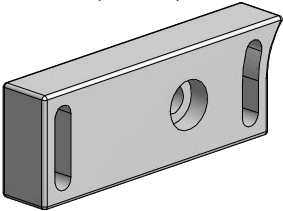
11. 4x (MA0064)



12. 18x (M0806)
Ø3,5x9,5



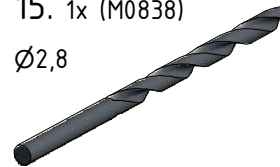
13. 8x (M5425)



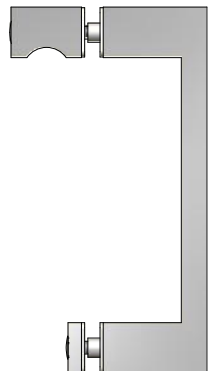
23. 8x (MA3119)



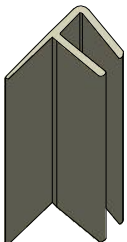
15. 1x (M0838)
Ø2,8



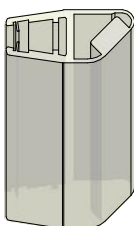
22. 2x
(MB1851)



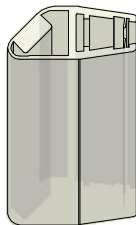
17. 2x+2x
(P3200;P3201)



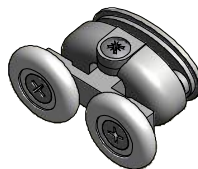
18. 1x
(MA2020)



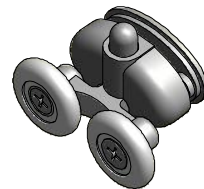
19. 1x
(MA2021)

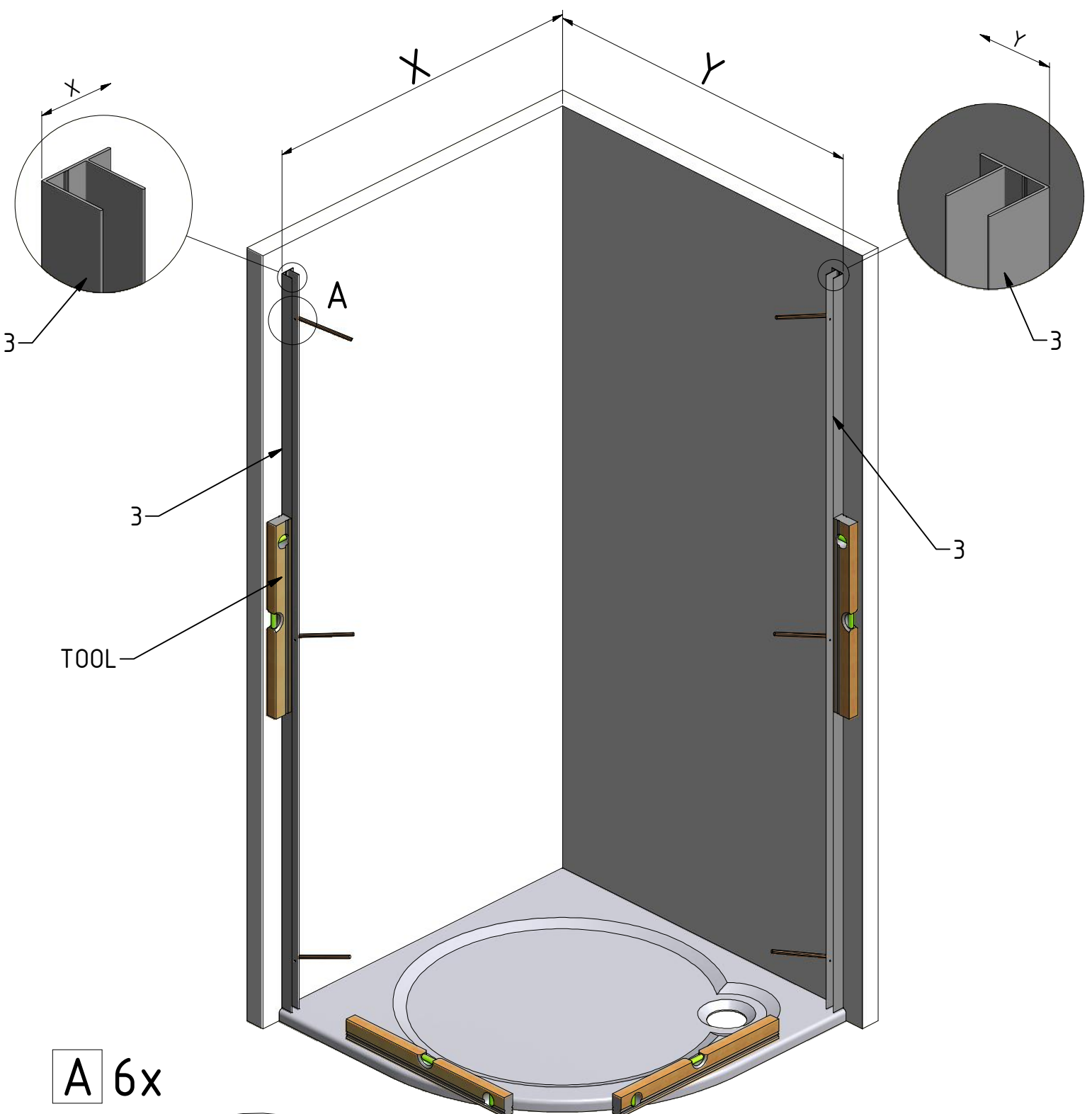


20. 4x (M9886)

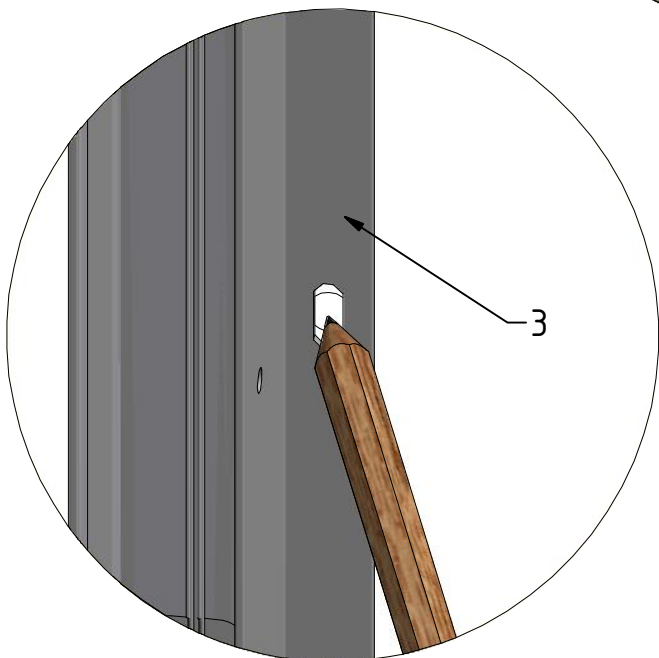


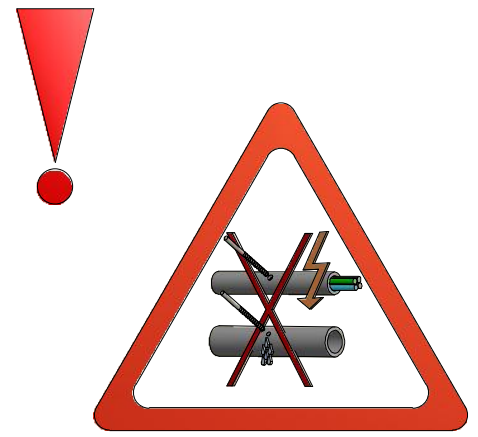
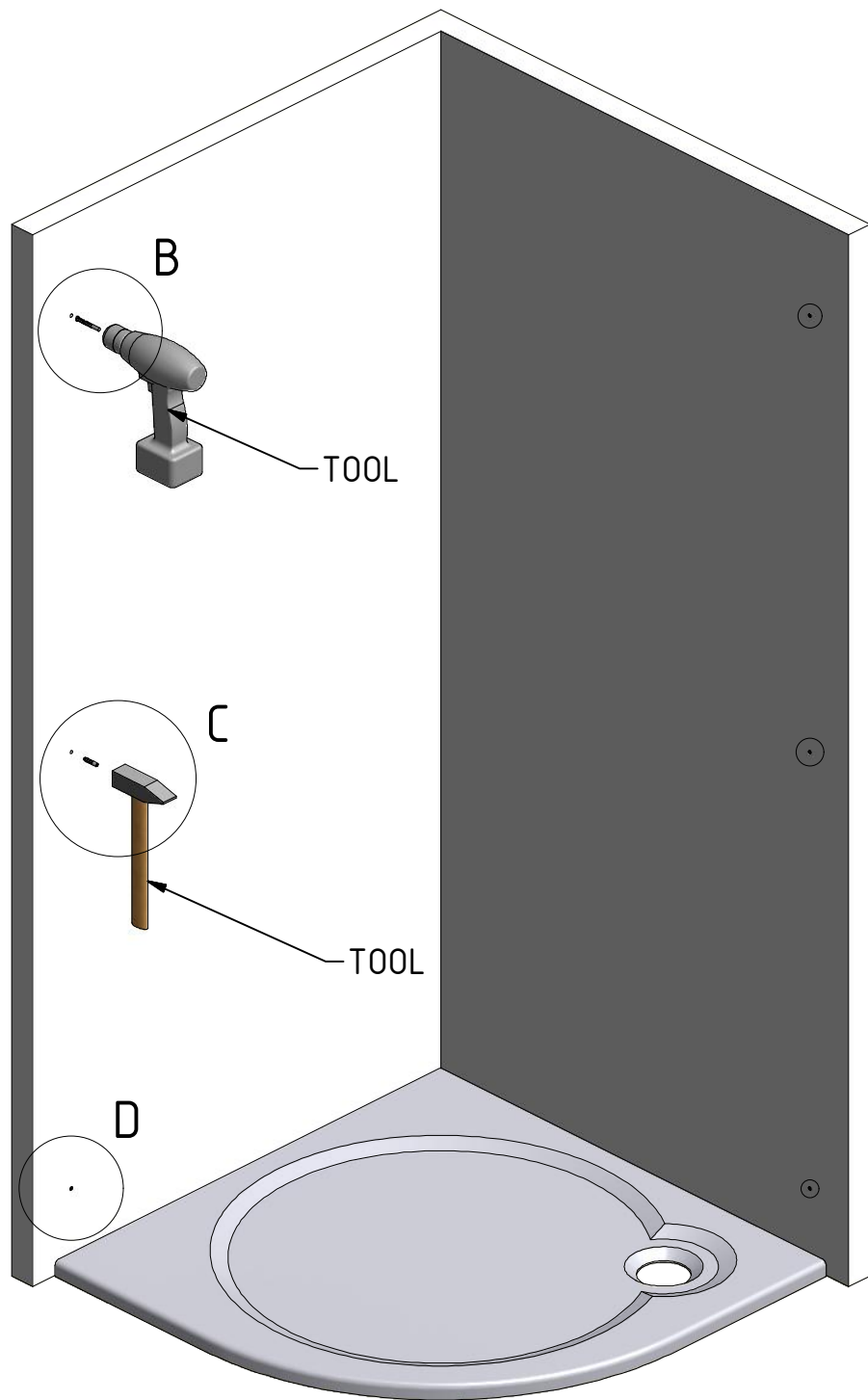
21. 4x
(MA1870)



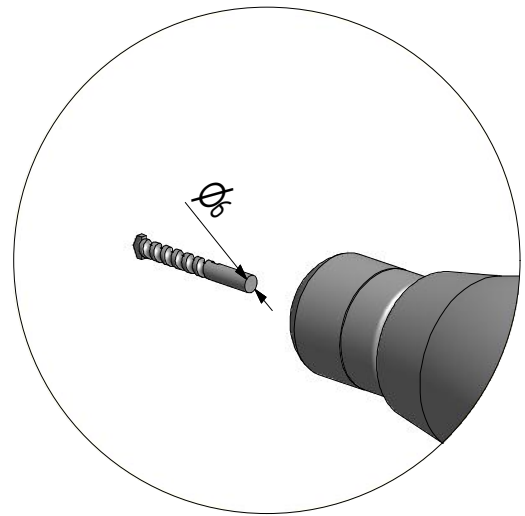


A 6x

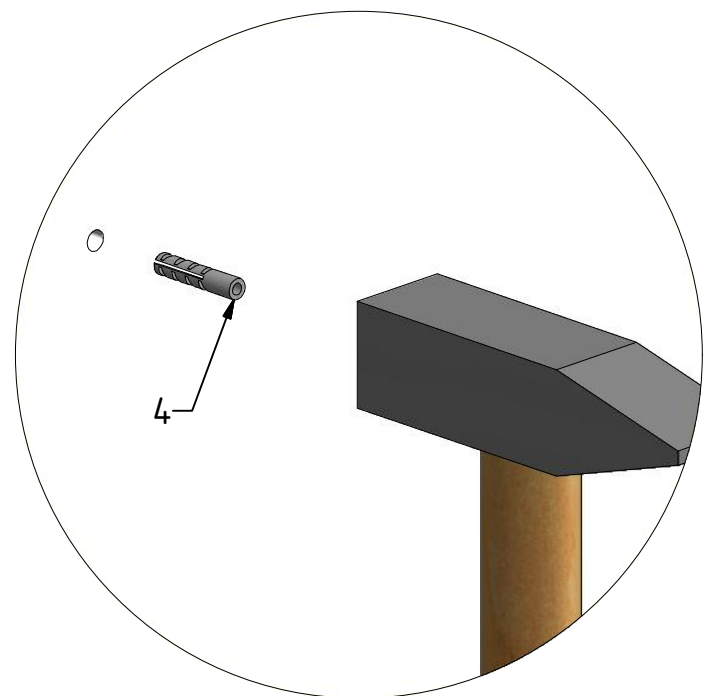




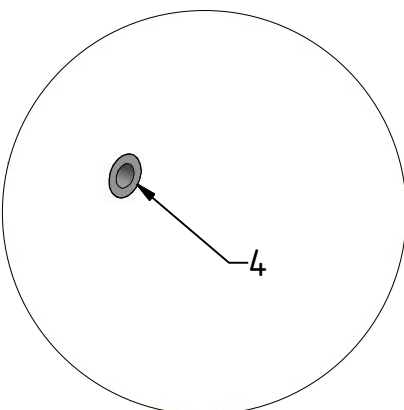
B 6x

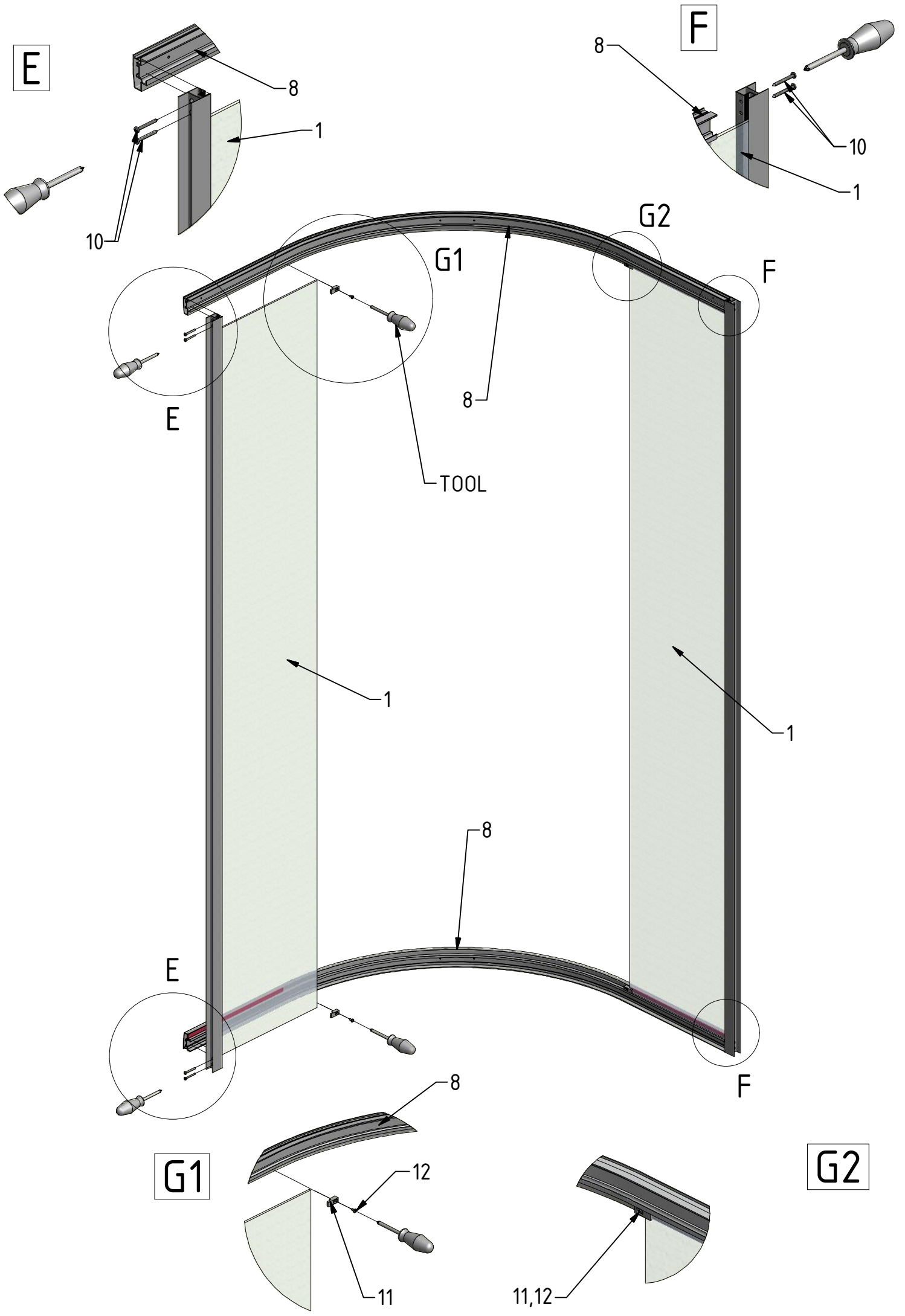


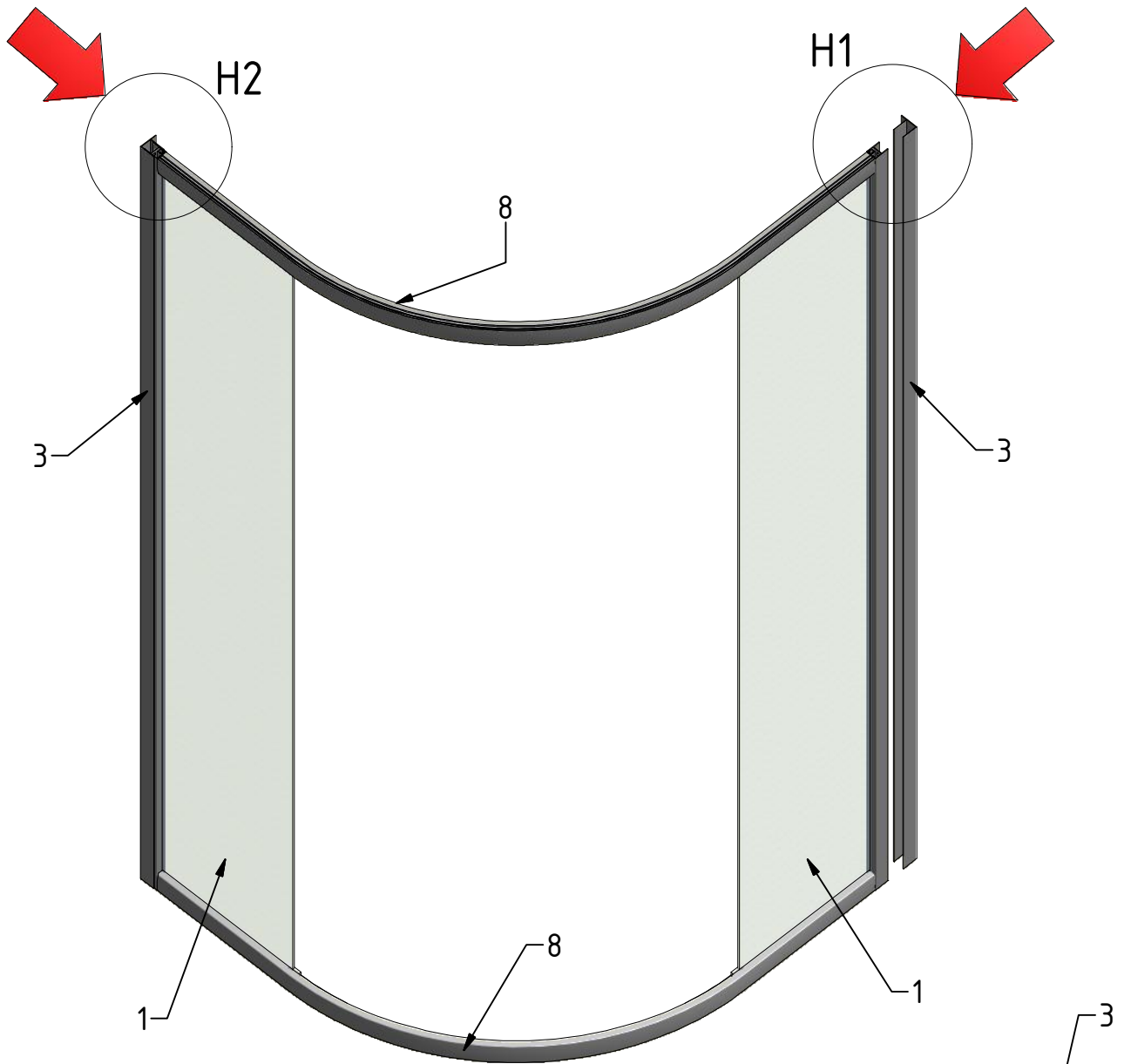
C 6x



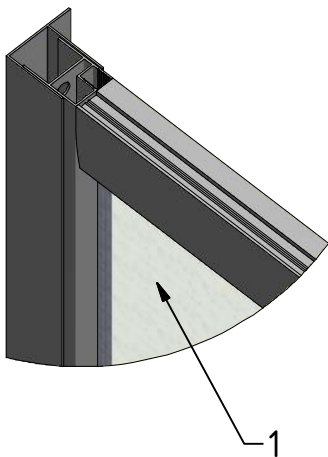
D 6x



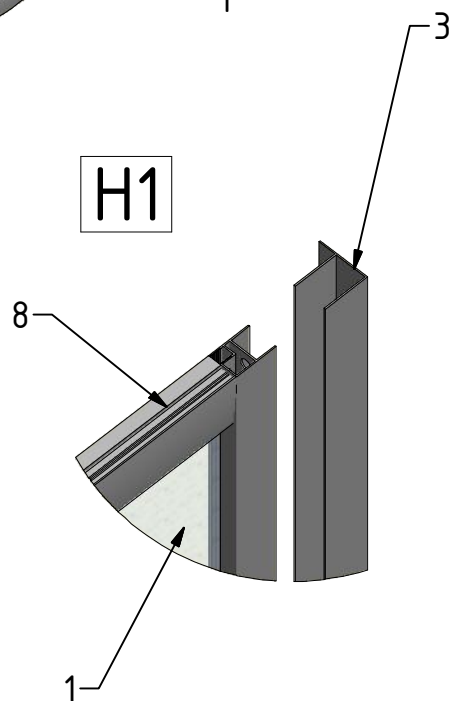


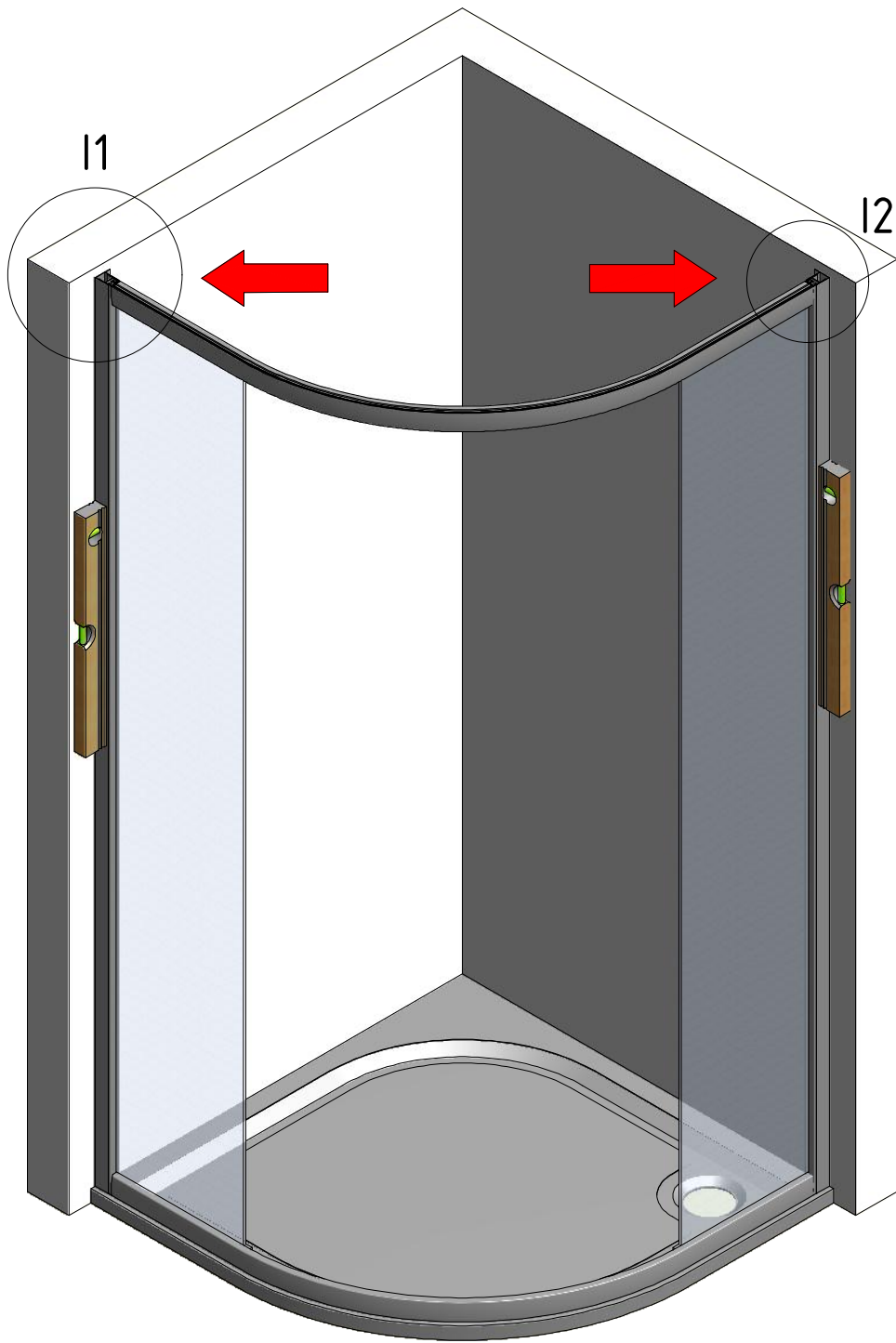


H2



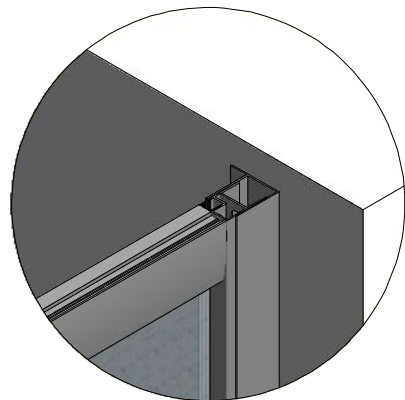
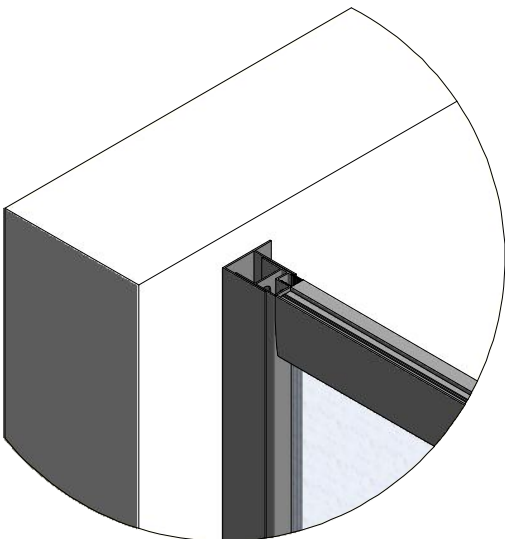
H1

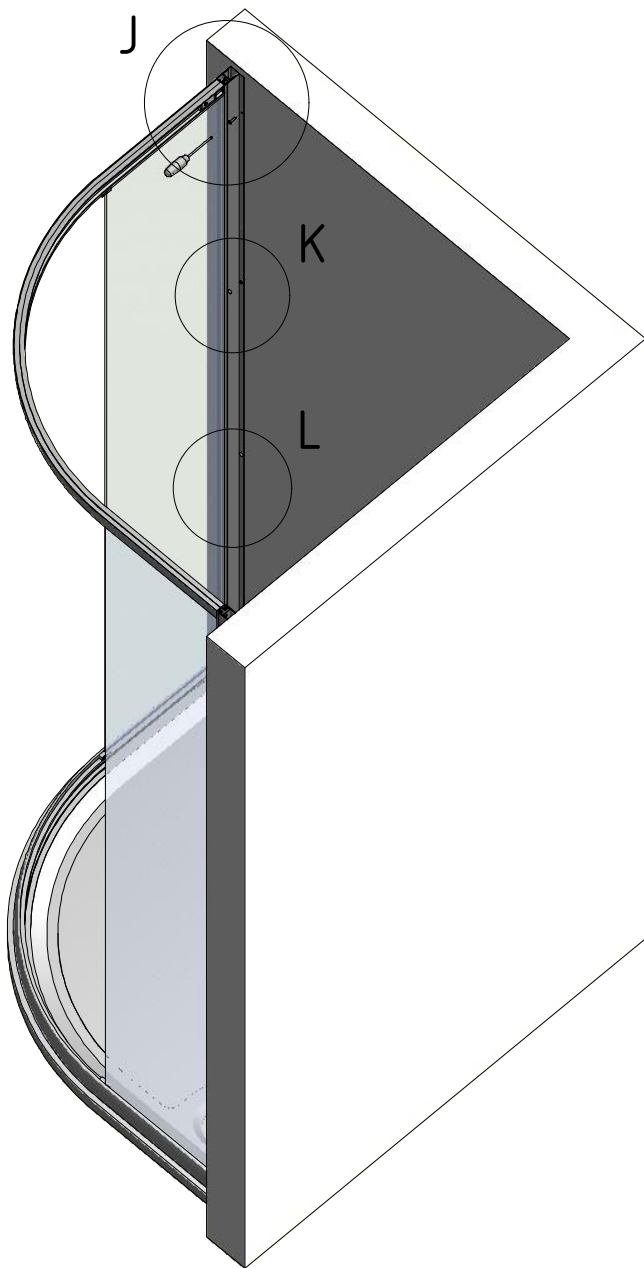




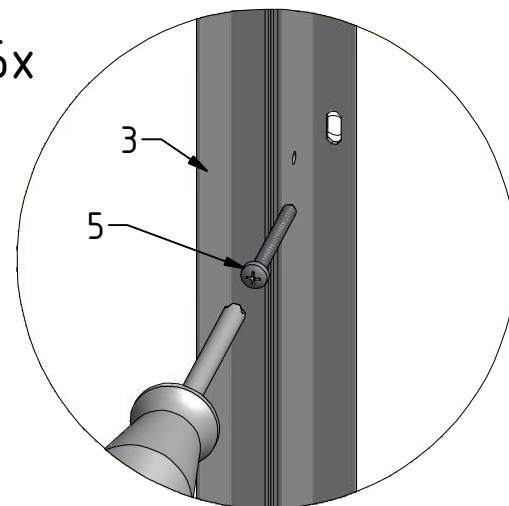
I1

I2

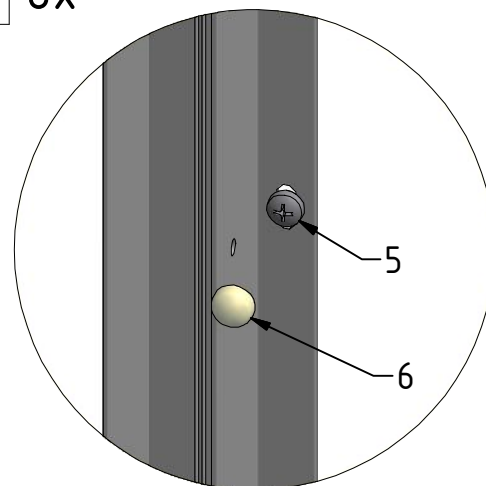




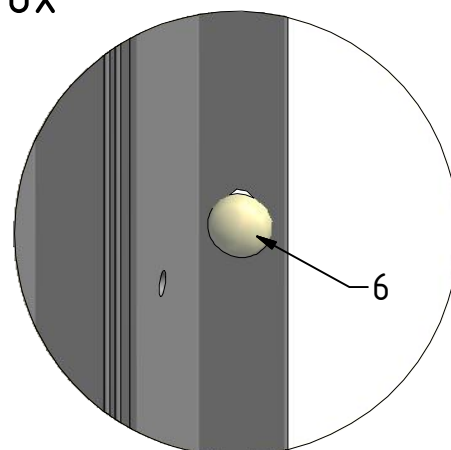
J 6x

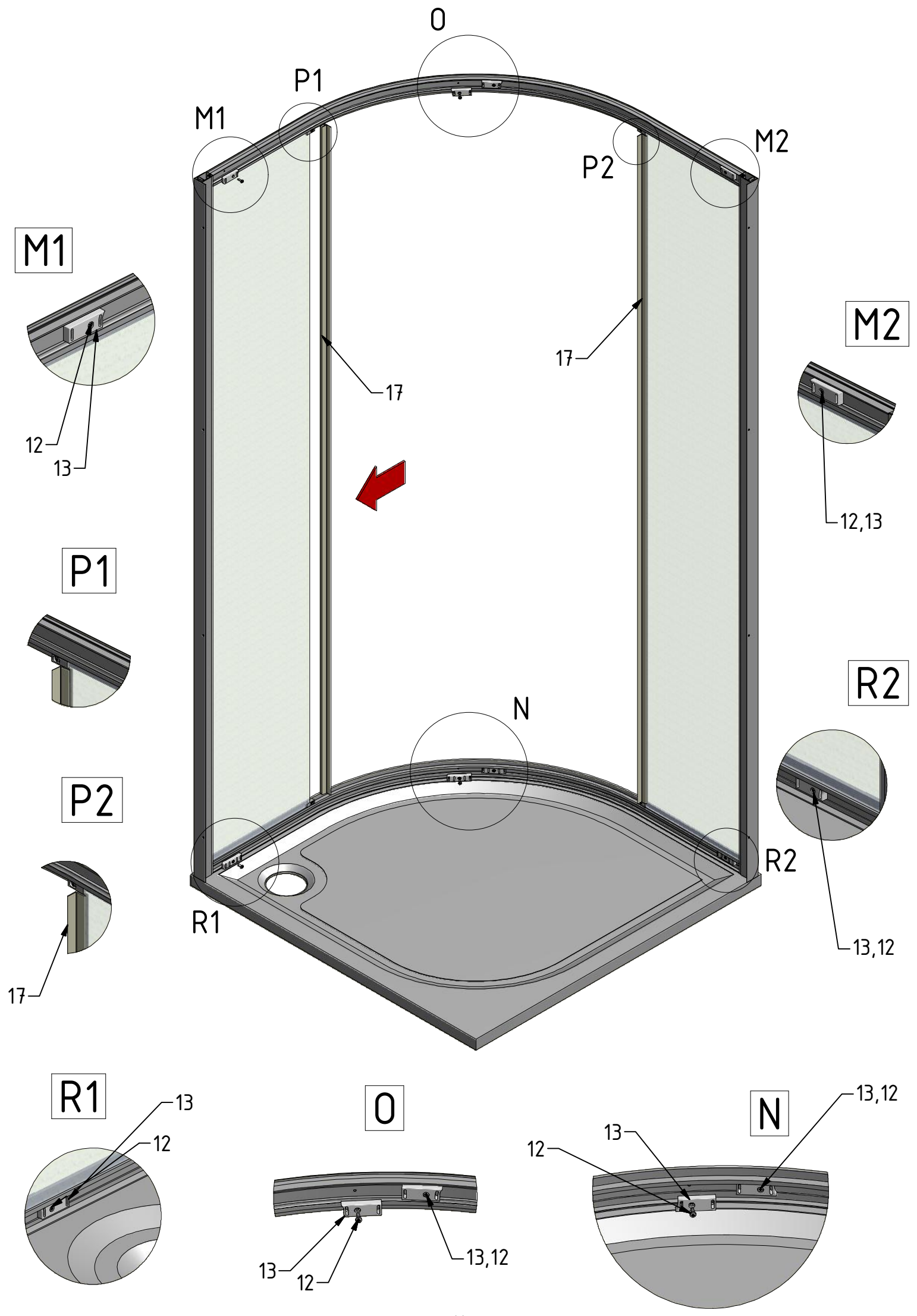


K 6x

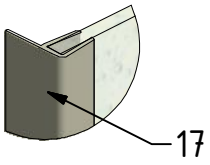


L 6x

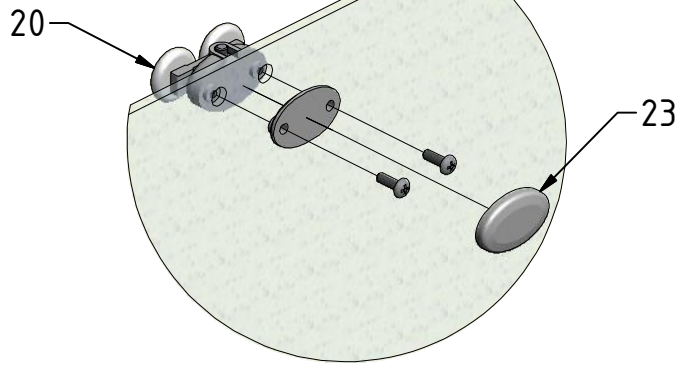




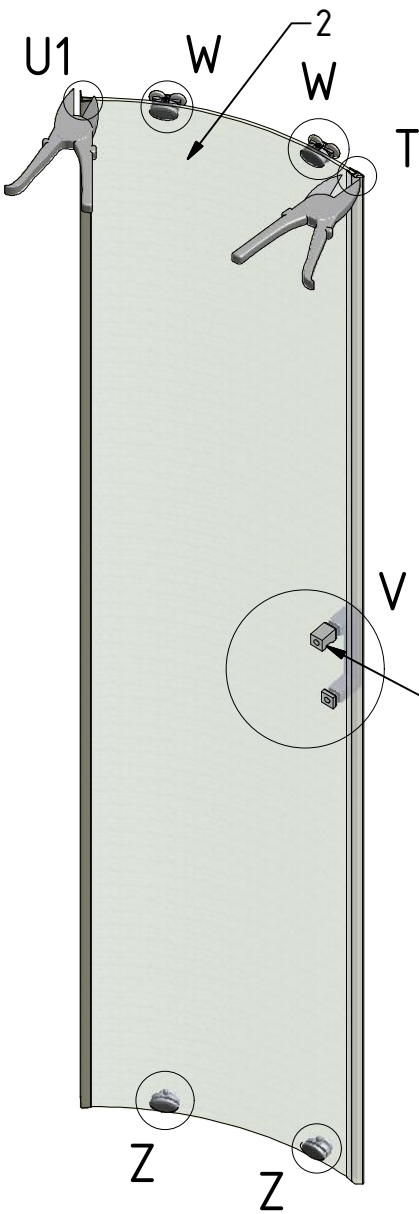
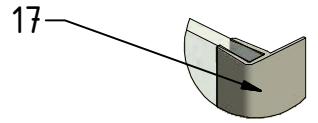
U1



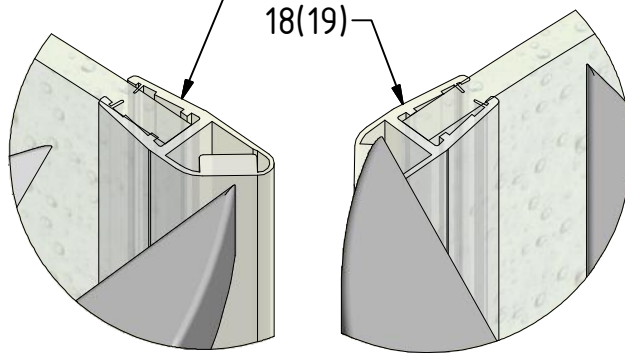
W



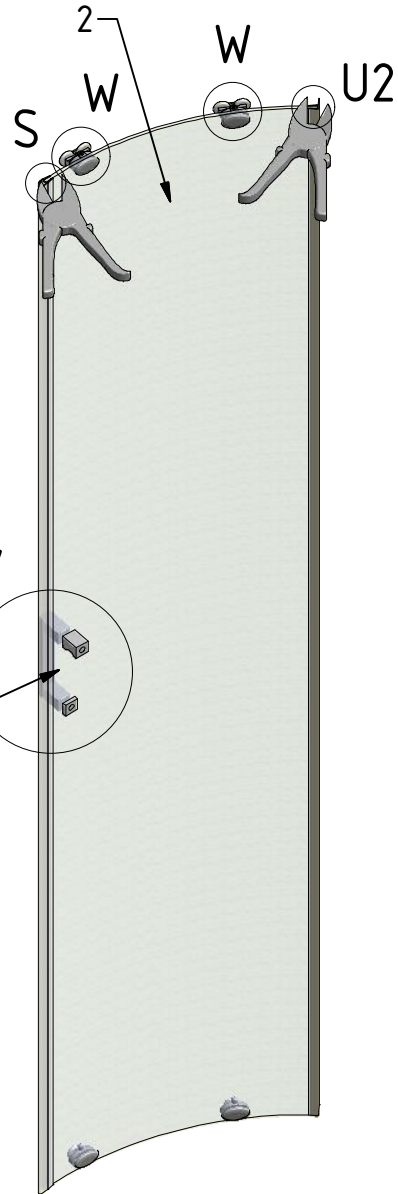
U2



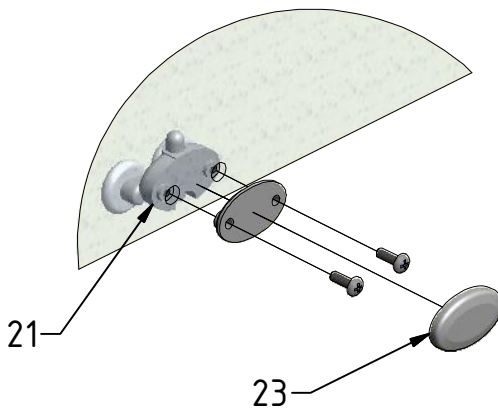
T



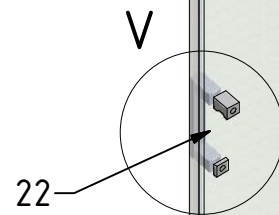
S



Z

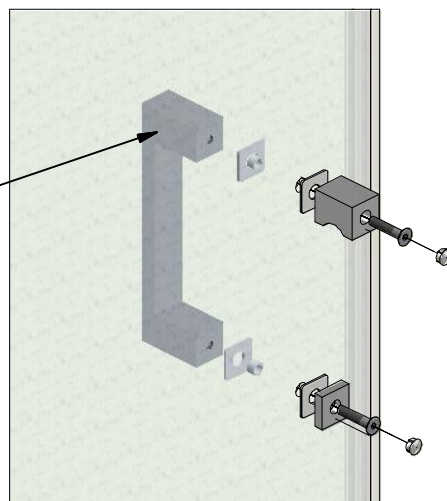


V



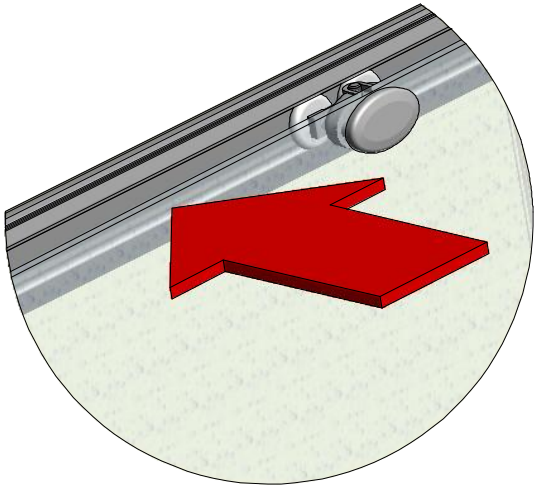
22

V

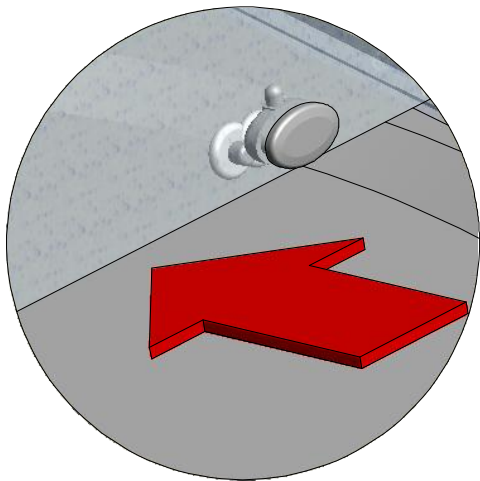


AA1

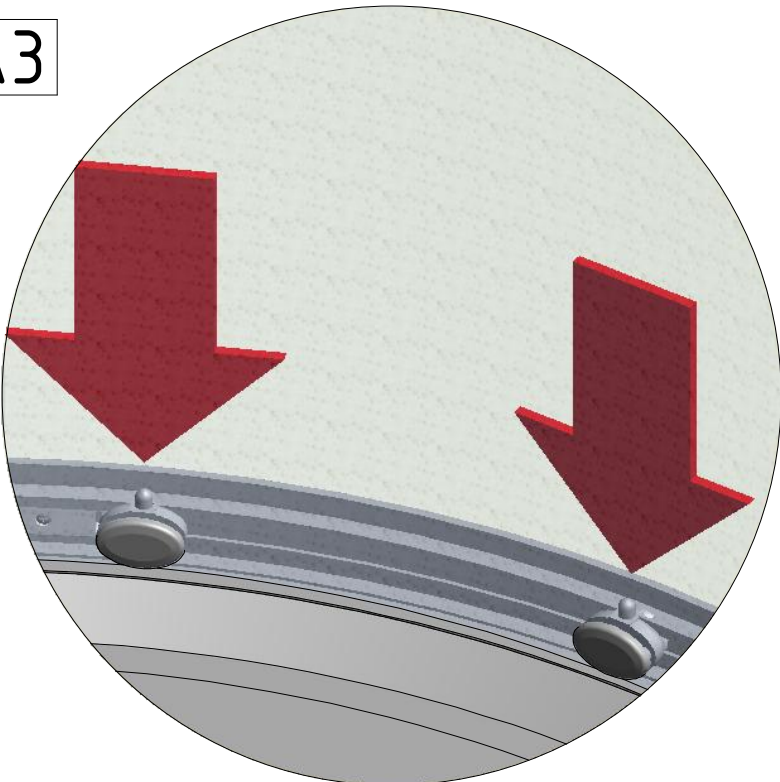
AA1



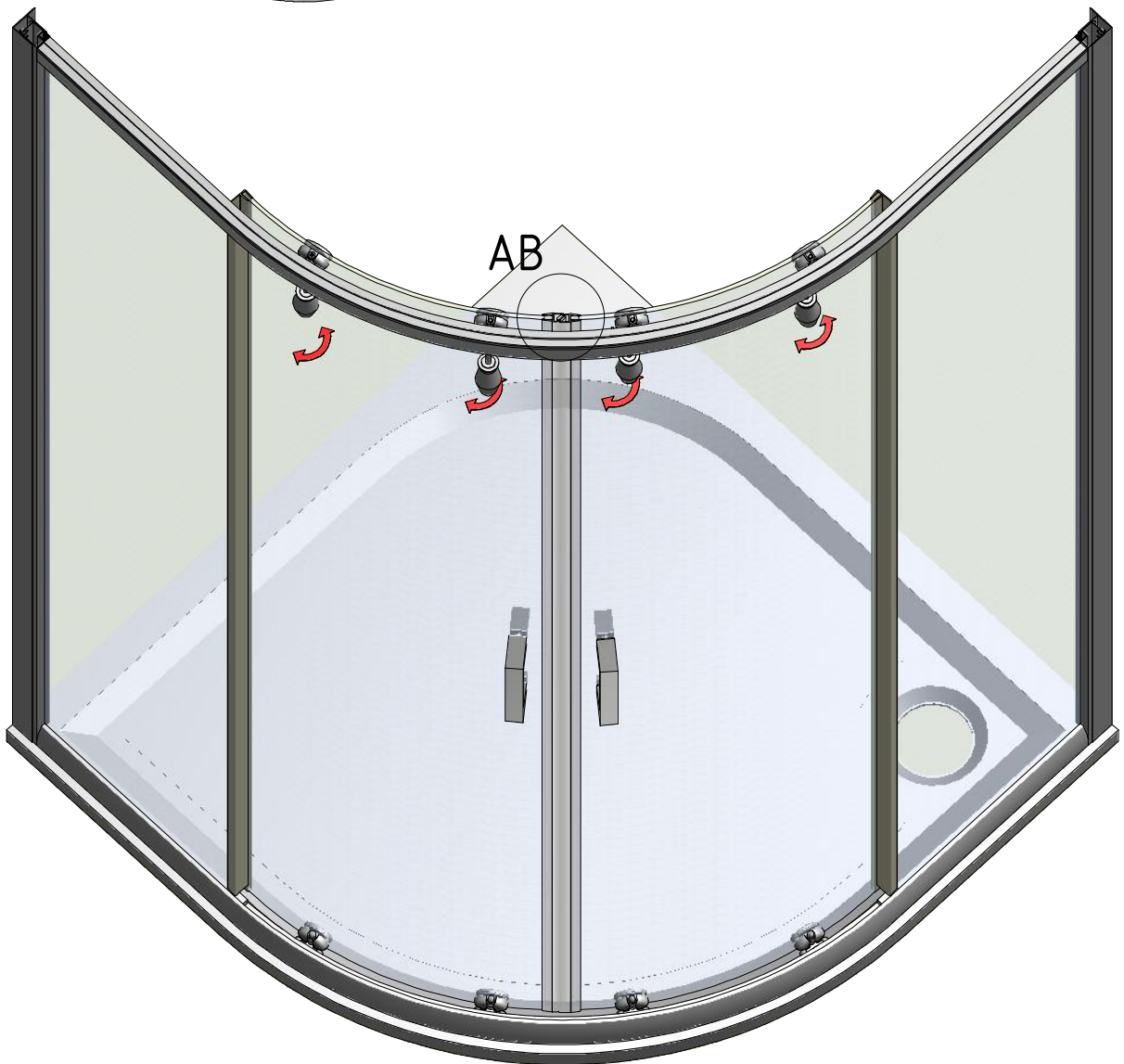
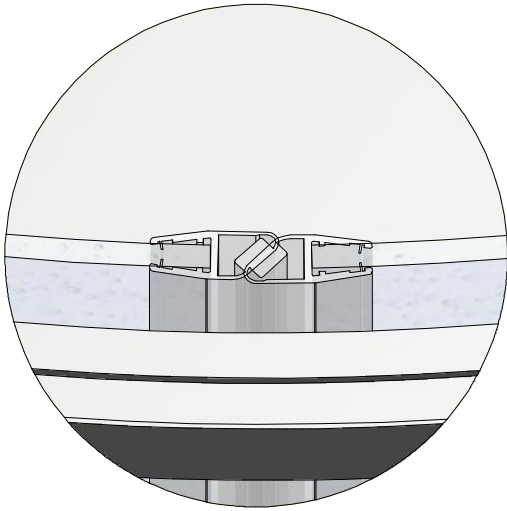
AA2



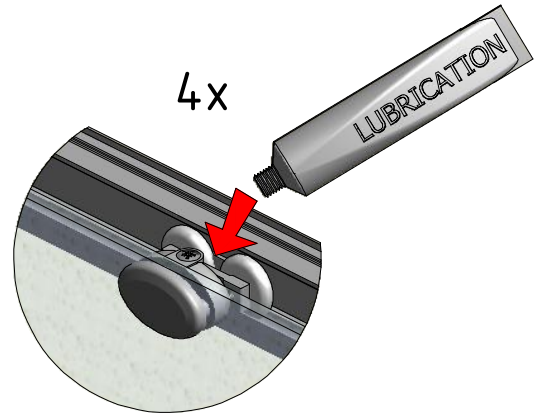
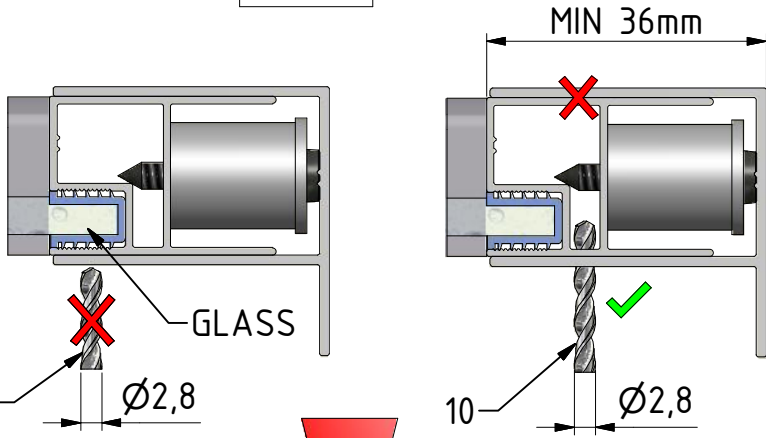
AA3



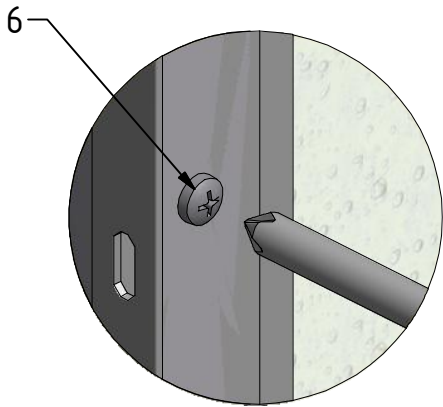
AB



AC1 6x



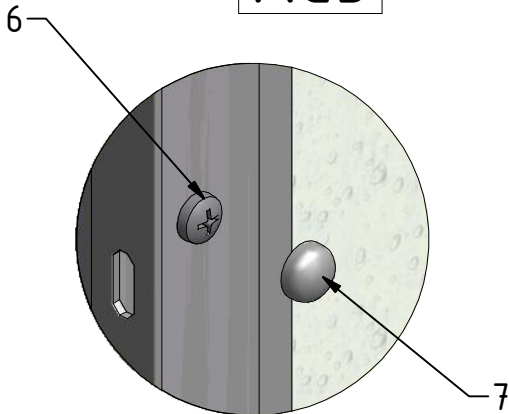
AC2 6x

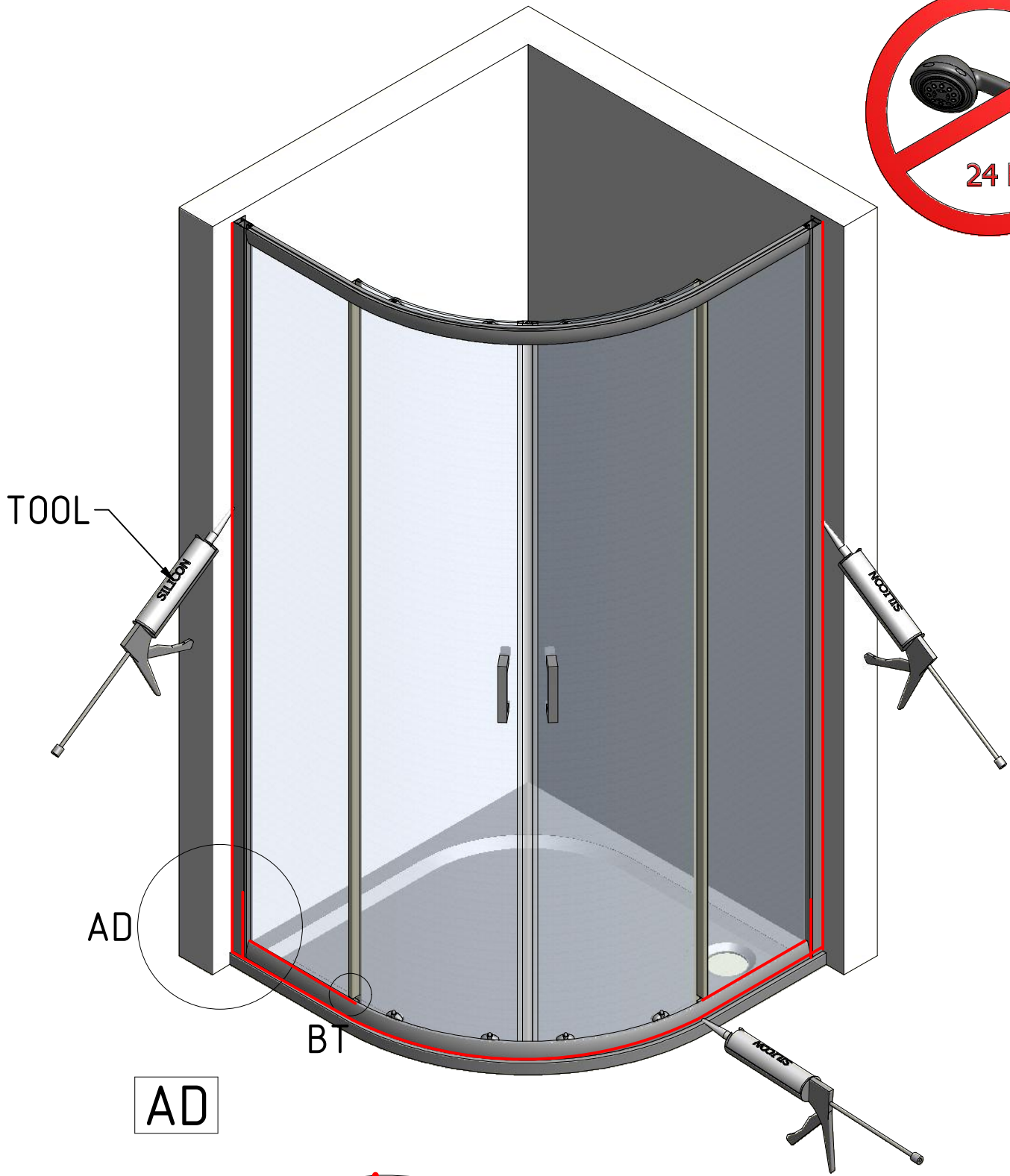


TOOL

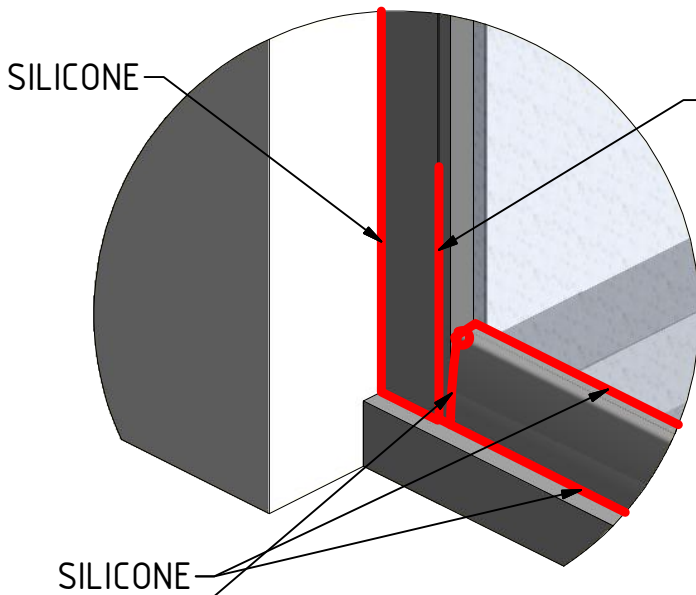
TOOL

AC3 6x

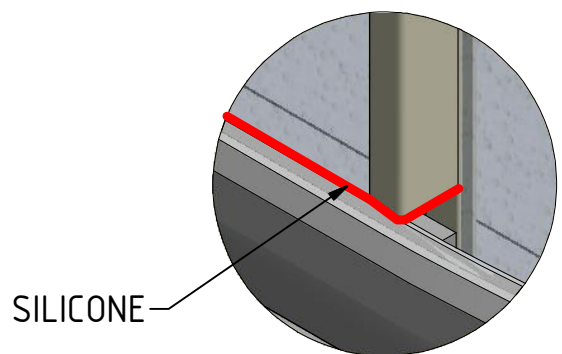


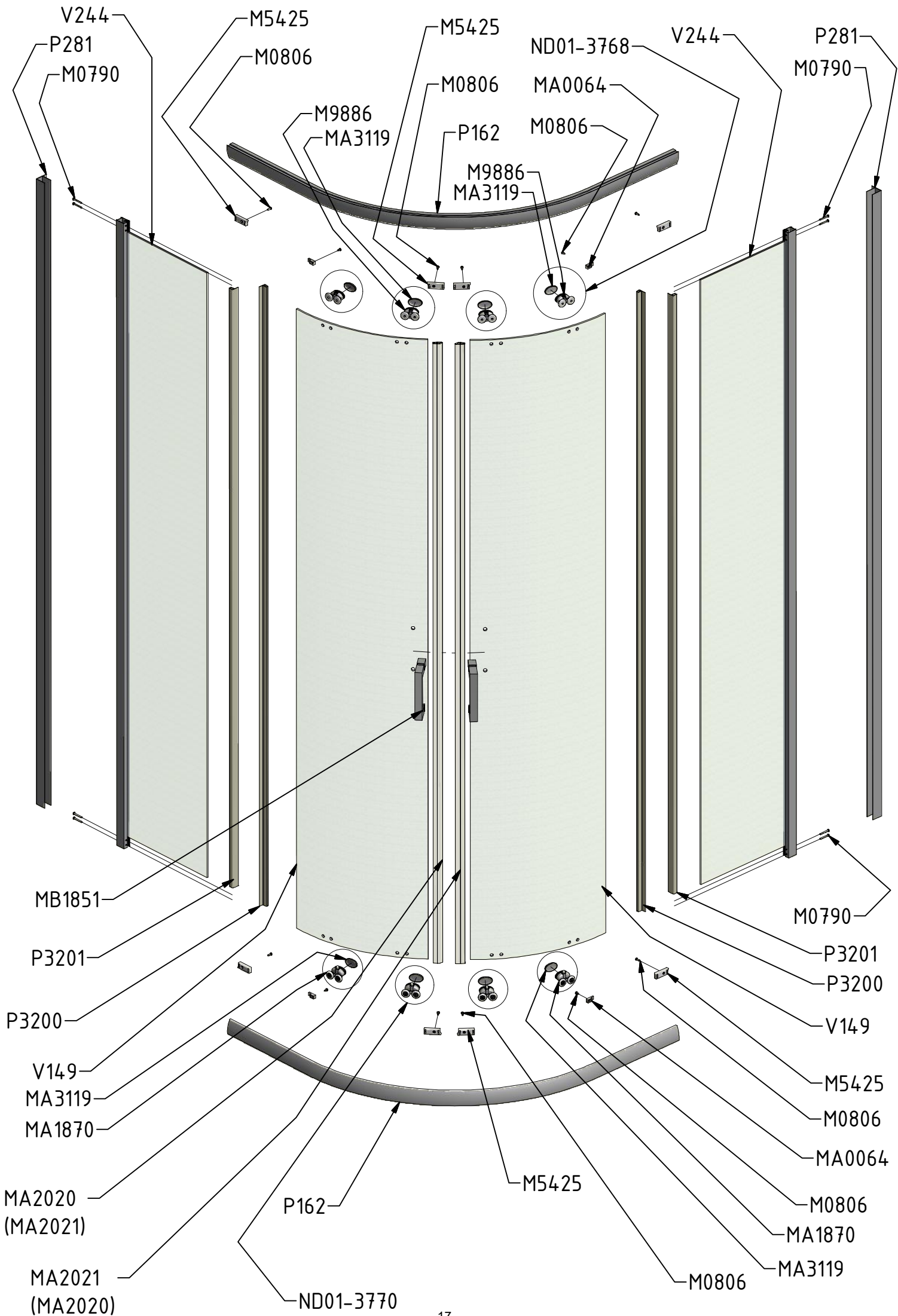


AD



SILICONE MIN 100mm





V244	800	brillant+clear glass	ND03-0784-00-02
		brillant+grape	ND03-0784-00-11
		white+clear glass	ND03-0784-04-02
		white+grape	ND03-0784-04-11
	900	brillant+clear glass	ND03-0785-00-02
		brillant+grape	ND03-0785-00-11
		white+clear glass	ND03-0785-04-02
		white+grape	ND03-0785-04-11

V149	800;900	clear glass	ND02-0692-02
		grape	ND02-0692-11

P162	800	brillant	P4057;MA2652
	900		P4058;MA2497
	800	white	P4427
	900		P3722

P281		brillant	P5045
		white	P5046

